

# **PAMS Technical Documentation NSE/K/B/W/C–1/3 Series Transceivers**

## **Service Tools**

**CONTENTS**

	<b>Page No</b>
Battery Adapter BDC-3 .....	5
Product Code .....	5
View of BDC-3 .....	5
Service Battery BBD-3 .....	6
Product Code .....	6
View of BBD-3 .....	6
Dummy Battery BTD-3 .....	7
Product Code .....	7
View of BTD-3 .....	7
Light Module Jig JBT-1 .....	8
Product Code .....	8
View of JBT-1 .....	8
Module Jig JBS-19 .....	9
Product Code .....	9
View of JBS-19 .....	9
Flash Loading Adapter FLA-5 (Sales Pack) .....	10
Product Code .....	10
View of FLA-5 .....	10
Flash Prommer FPS-4S (Sales Pack) .....	11
Product Code .....	11
View of FPS-4S .....	11
Security Box TDF-4 .....	12
Product Code .....	12
View of TDF-4 .....	12
Service Audio Box JBA-4 .....	13
Product Code .....	13
View of JBA-4 .....	13
Service Cable SCH-5 .....	14
Product Code .....	14
View of SCH-5 .....	14
Service Cable SCH-5A .....	15
Product Code .....	15
View of SCH-5A .....	15
Audio Cable ADS-1 .....	16
Product code .....	16
View of ADS-1 .....	16

Warranty Cable SCH-6 .....	17
Product Code .....	17
View of SCH-6 .....	17
Modular Cable XCM-1 .....	18
Product Code .....	18
View of XMS-1 .....	18
Modular Cable XMS-3 .....	19
Product Code .....	19
View of XMS-3 .....	19
D15-D15 Cable AXS-5 .....	20
Product Code .....	20
View of AXS-5 .....	20
DC Cable PCC-1B .....	21
Product Code .....	21
View of PCC-1 .....	21
DC Cable SCB-3 .....	22
Product Code .....	22
View of SCB-3 .....	22
Power Cable PCS-1 .....	23
Product Code .....	23
View of PCS-1 .....	23
External Antenna Cable XRC-1B .....	24
Product Code .....	24
View of XRC-1B .....	24
External Antenna Cable XRC-2 .....	25
Product Code .....	25
View of XRC-2 .....	25
Light Flash Cable FLC-5 .....	26
Product Code .....	26
View of FLC-5 .....	26
Light Flash Cable FLE-5 .....	27
Product Code .....	27
View of FLC-5 .....	27
MBUS Cable DAU-9S .....	28
Product Code .....	28
View of DAU-9S .....	28
MBUS Cable DAU-9P .....	29
Product Code .....	29
View of DAU-9P .....	29

## Service Tools

## Technical Documentation

Modular T–adapter .....	30
Product Code .....	30
View of Modular T–adapter .....	30
SW Security Device PKD–1 .....	31
Product Code .....	31
View of SW Security Device .....	31
Dongle/Flash Device FLS–2D (Sales Pack) .....	32
Product Code .....	32
View of FLS–2D .....	32
Sales Pack Contents .....	32

## Battery Adapter BDC-3

The Battery Adapter BDC-3 is used along with an external battery capacity meter to check battery capacity.

Note that Li-ion batteries have an internal protection circuit to prevent deep discharge.

### Product Code

Battery Adapter BDC-3:

0770083

### View of BDC-3



## Service Battery BBD-3

The Service Battery BBD-3 is used in place of the phone's normal battery during service, to supply a controlled operating voltage to the phone for current and charger calibration, and is also required when flashing the phone.

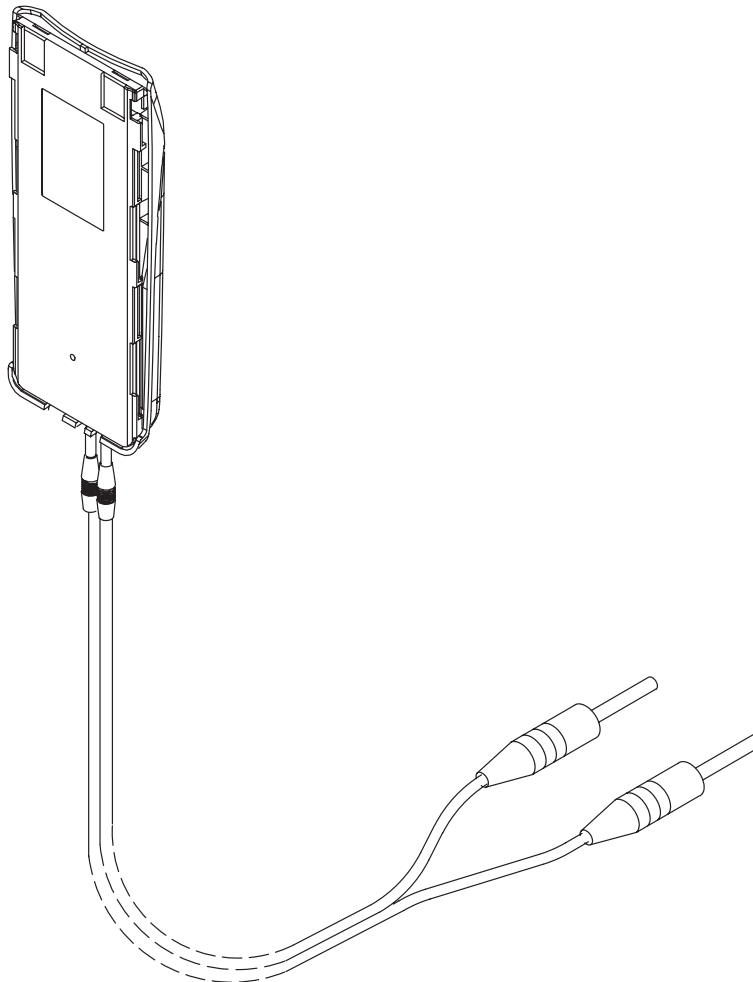
Note that the cable SCB-3 (0730114) is also required for charger calibration.

### Product Code

Service Battery BBD-3:

0775071

### View of BBD-3



## Dummy Battery BTD-3

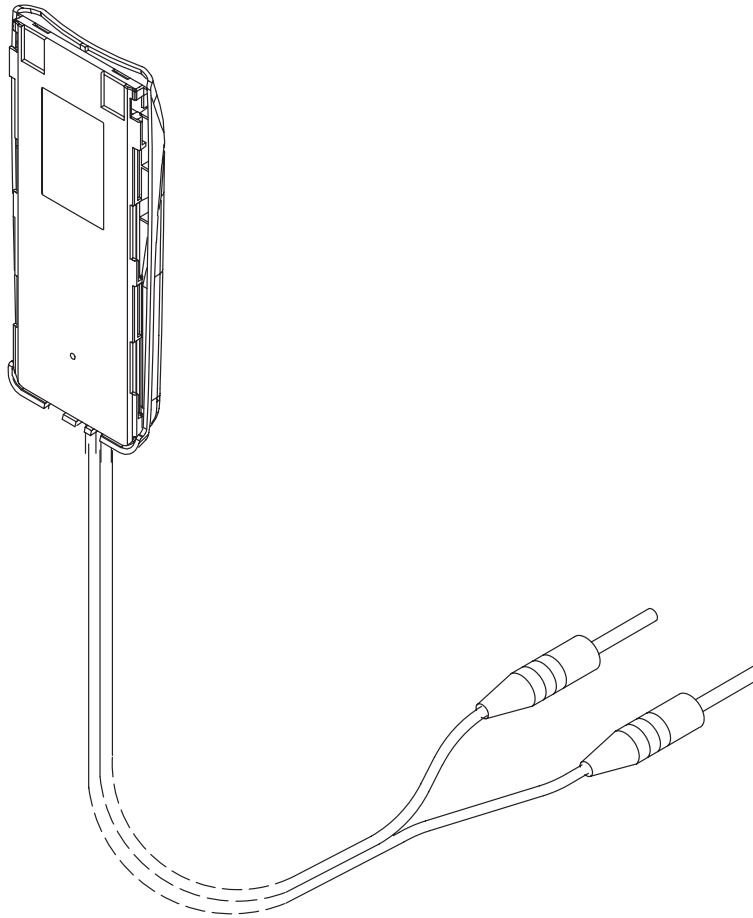
The Service Battery BTD-3 is used in place of the phone's normal battery during service, to supply a maximal operating voltage to the phone also in AMPS mode.

### Product Code

Service Battery BTD-3:

0670280

### View of BTD-3



## Light Module Jig JBT-1

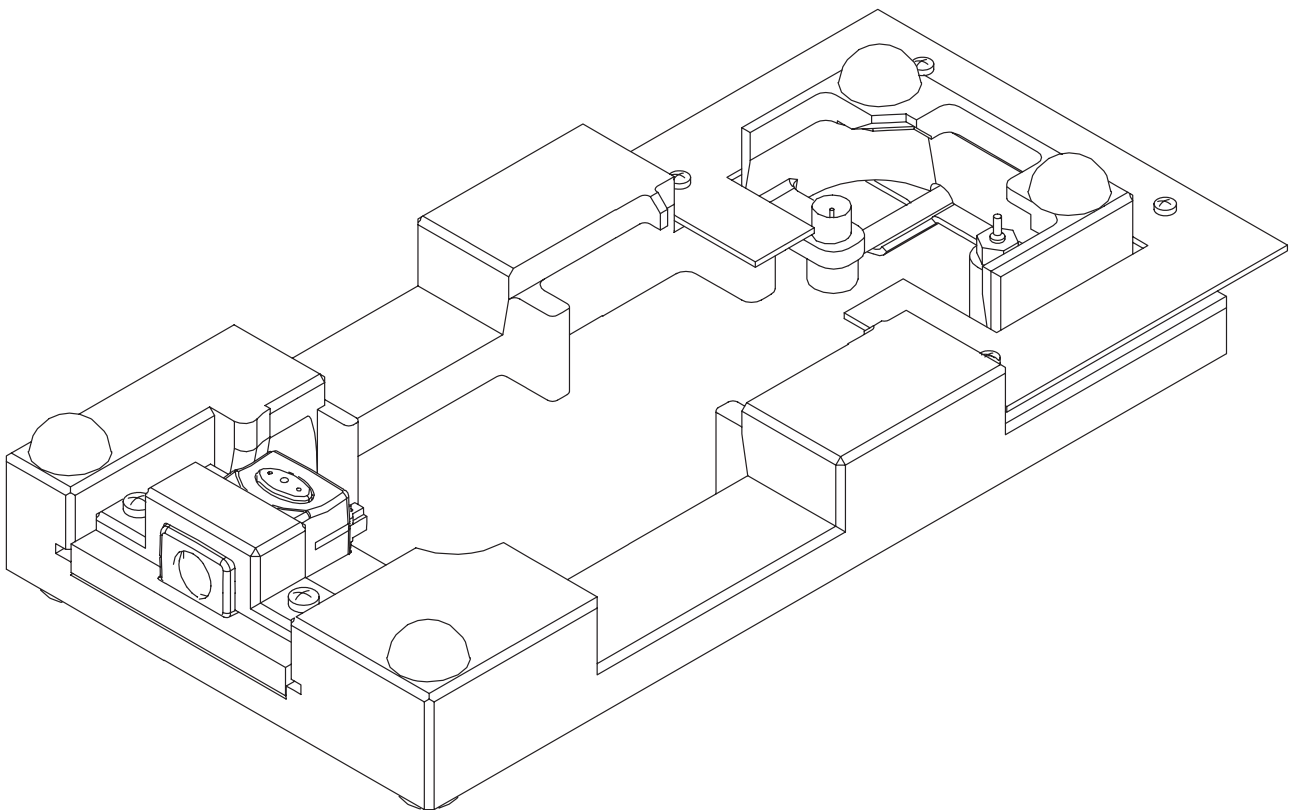
The Light Module Jig JBT-1 is used for component level repair of the system/RF module. \*

### Product Code

Light Module Jig JBT-1:

0770109

### View of JBT-1



\*) Connect the External antenna cable XRC-1B, service Cable SCH-5, and the DC Cable PCS-1 to the JBT-1 jig.  
The service cable SCH-5 can be replaced by the DAU-9P cable.

Note: The nominal supply voltage for JBT-1 is +3.6 V.  
The supply voltage must not exceed +5.0 V.



## Module Jig JBS-19

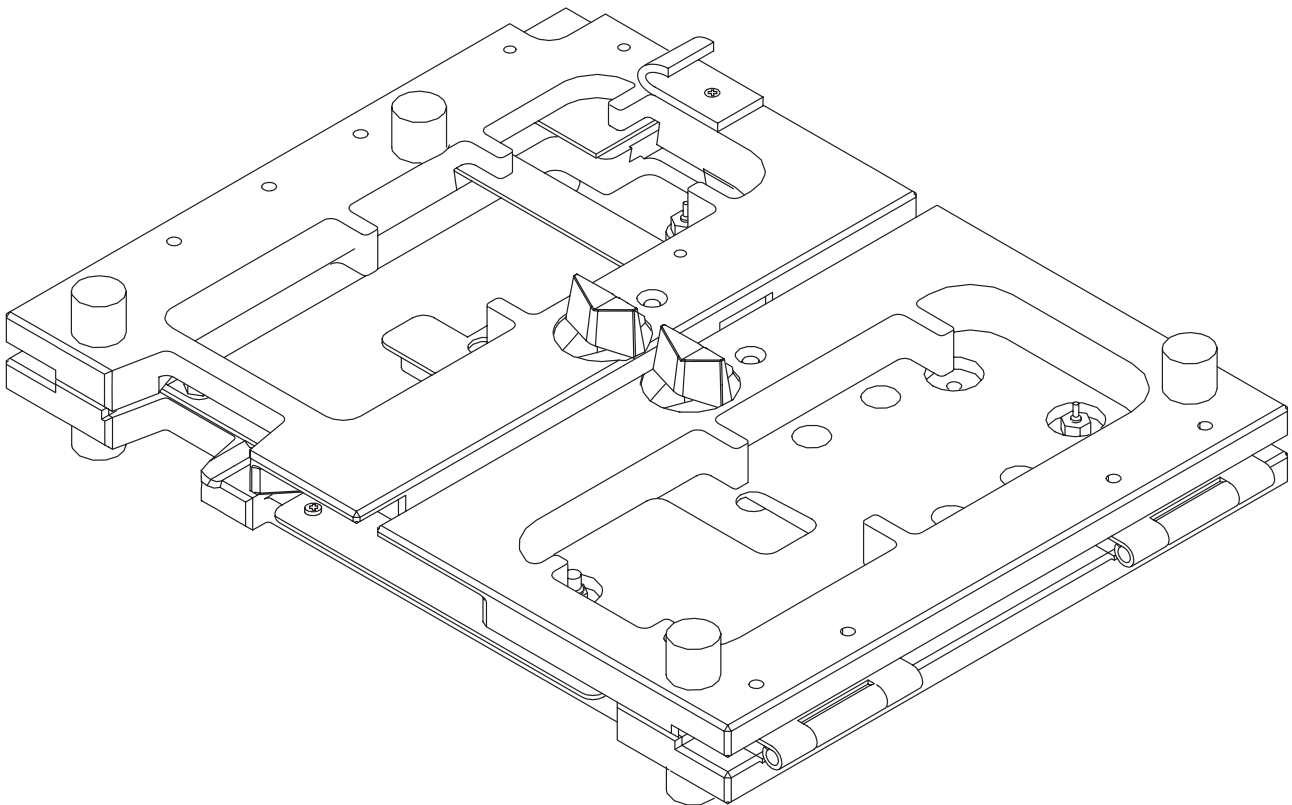
The Module Jig JBS-19 is used for repair of both system/RF and UIF modules. \*

### Product Code

Light Module Jig JBS-19:

0770098

### View of JBS-19



\*) Connect the External antenna cable XRC-1B, service Cable SCH-5, and the DC Cable PCS-1 to the JBS-19 jig.  
The service cable SCH-5 can be replaced by the DAU-9P cable.

Note: The nominal supply voltage for JBS-19 is +3.6 V.  
The supply voltage must not exceed +5.0 V.



## Flash Prommer FPS-4S (Sales Pack)

The Flash Prommer FPS-4S is used to update the main software of the phone. Updating is done by first loading the new MCU software from the PC to the flash prommer, and then loading the new SW from the prommer to the phone. When updating more than one phone in succession, the MCU software only needs to be loaded to the prommer once.

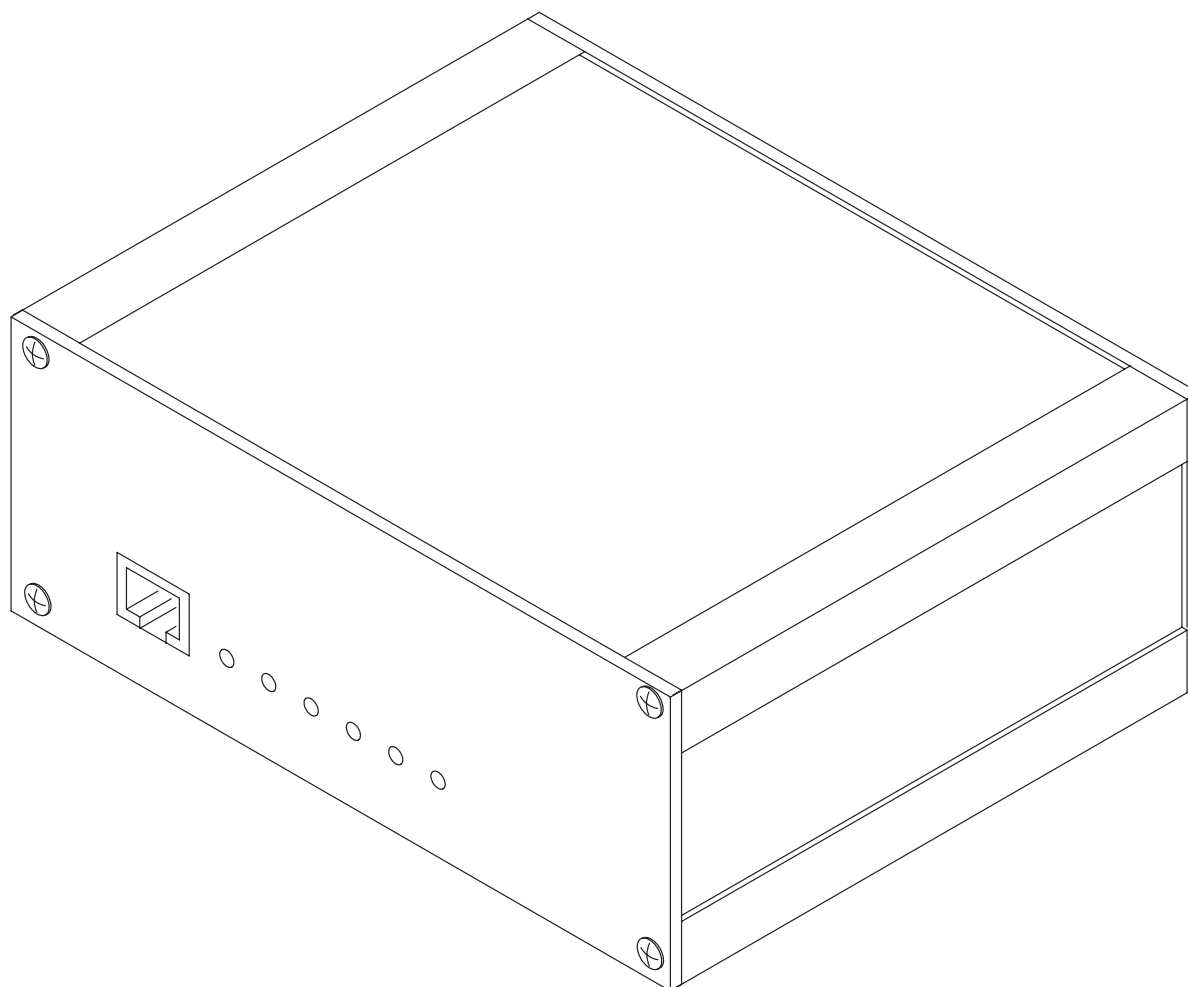
The sales pack includes:

- Charger ACL-3E	0680015
- Printer Cable	0730029
- D9 - D9 Cable AXS-4	0730090
- Installation software for FPS-4	8400041

### Product Code

Flash Prommer FPS-4S:	0080178
-----------------------	---------

### View of FPS-4S



## Security Box TDF-4

The Security Box TDF-4 is required for updating MCU software, and infra red testing.

Note1: TDF-4 is delivered in de-activated mode. Fill in the enclosed Activation Request Form, and fax to NMP Salo to get the activation code

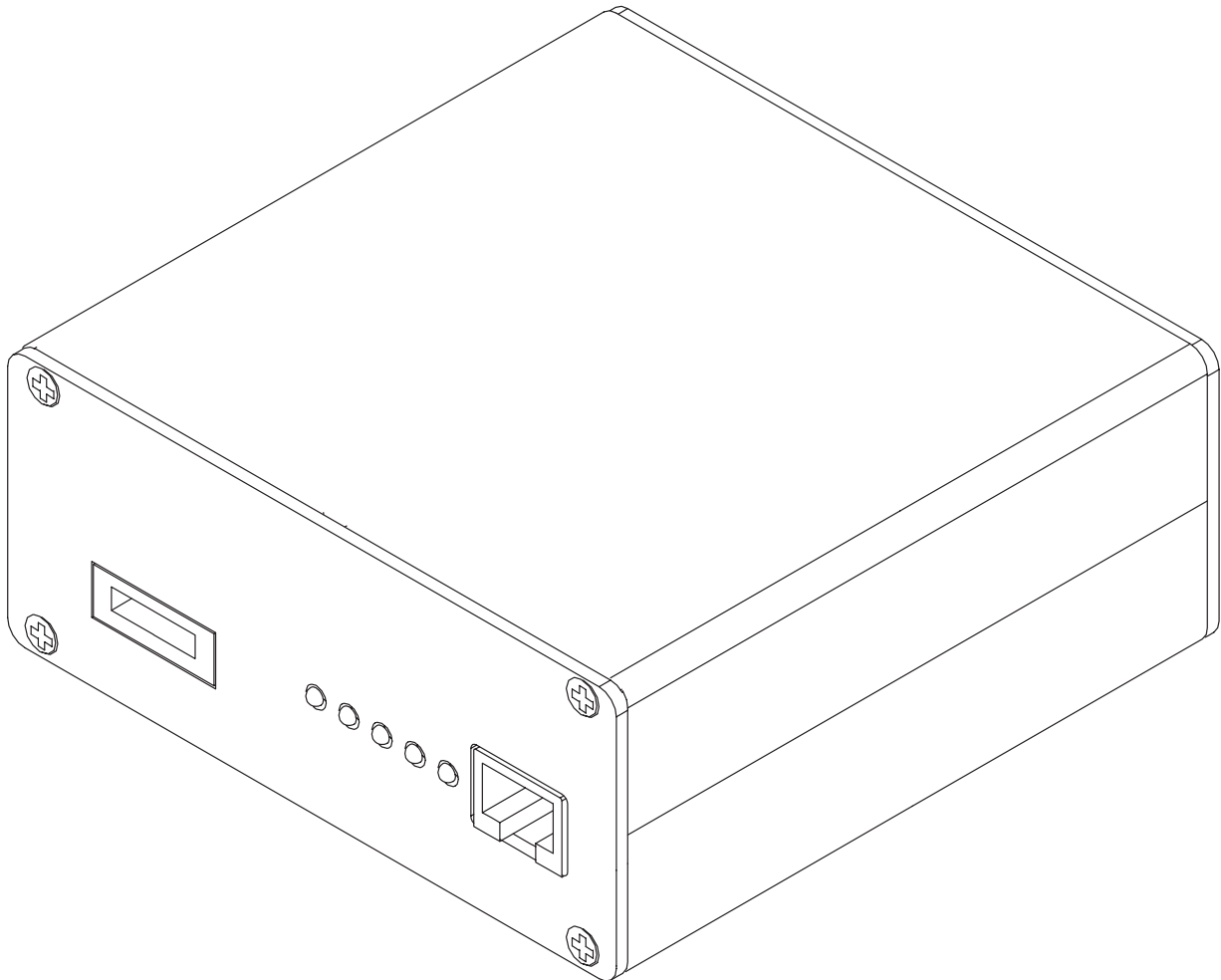
Note2: The infra red module JLP-1 is not included in the TDF-4 sales package

### Product Code

Security Box TDF-4:

0770106

### View of TDF-4



## Service Audio Box JBA-4

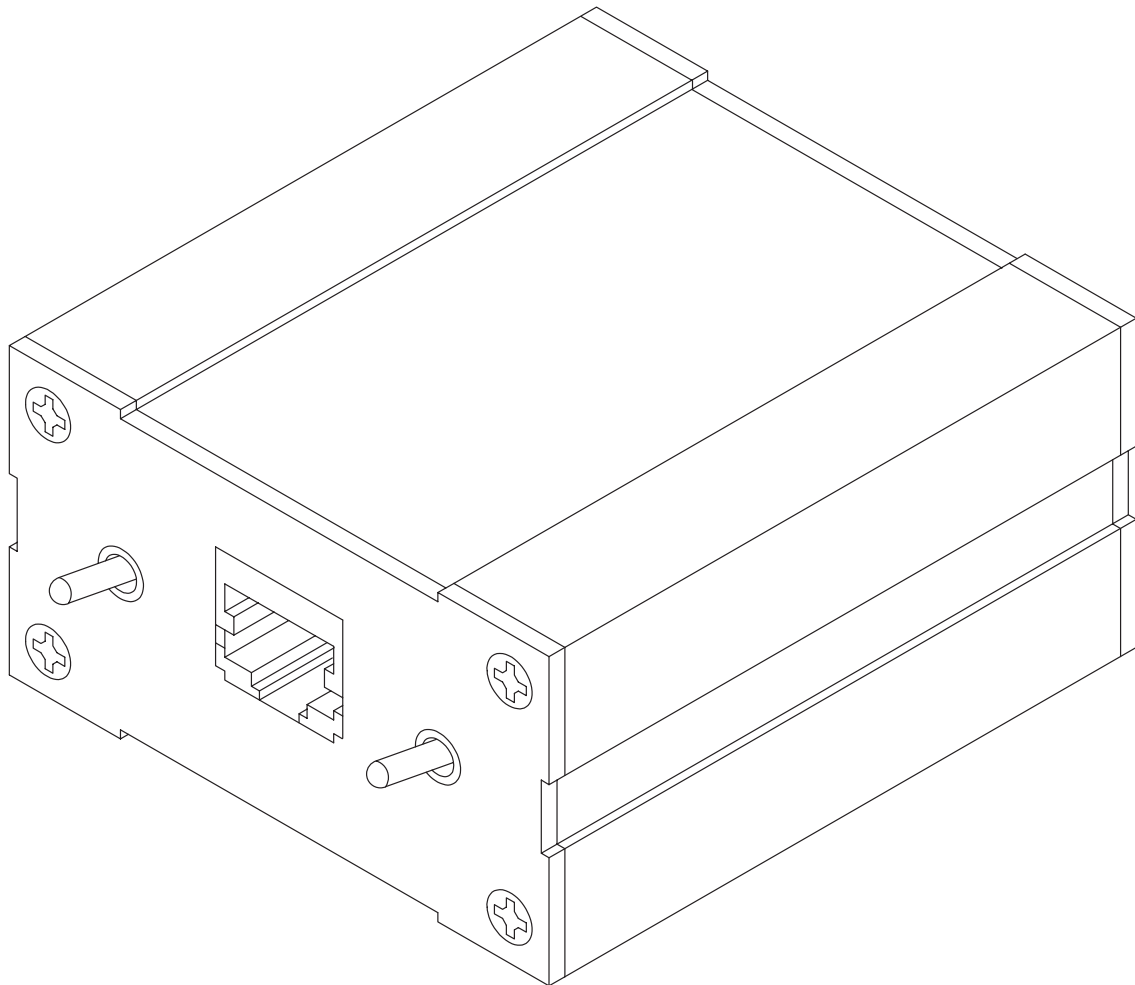
The Service Audio Box JBA-4 is used between the Service Cable SCH-5, MBUS Cable DAU-9S, and Audio Cable ADS-1.

### Product Code

Service Audio Box JBA-4:

0770094

### View of JBA-4



## Service Cable SCH-5

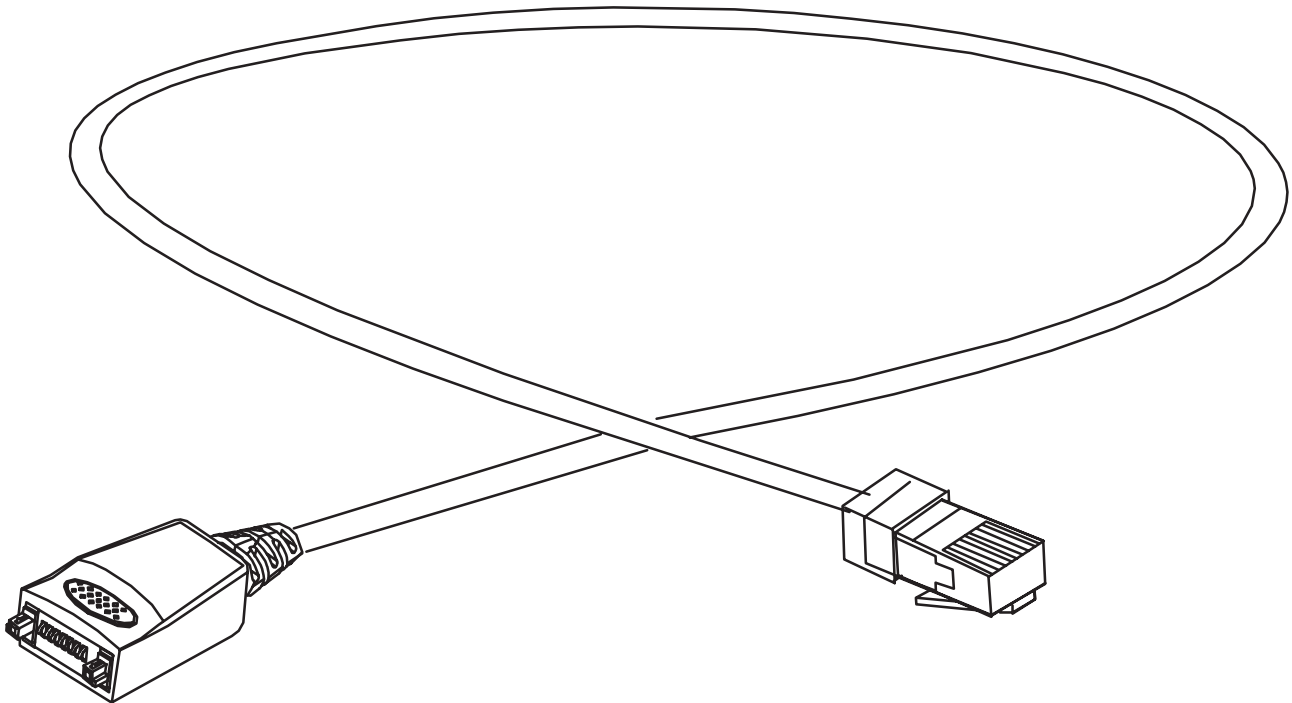
The Service Cable SCH-5 is used between the phone and Service Audio Box JBA-4 (or modular T-adapter. It is also used between the phone and the Flash Loading Adapter FLA-5.

### Product Code

Service Cable SCH-5:

0730098

### View of SCH-5



## Service Cable SCH-5A

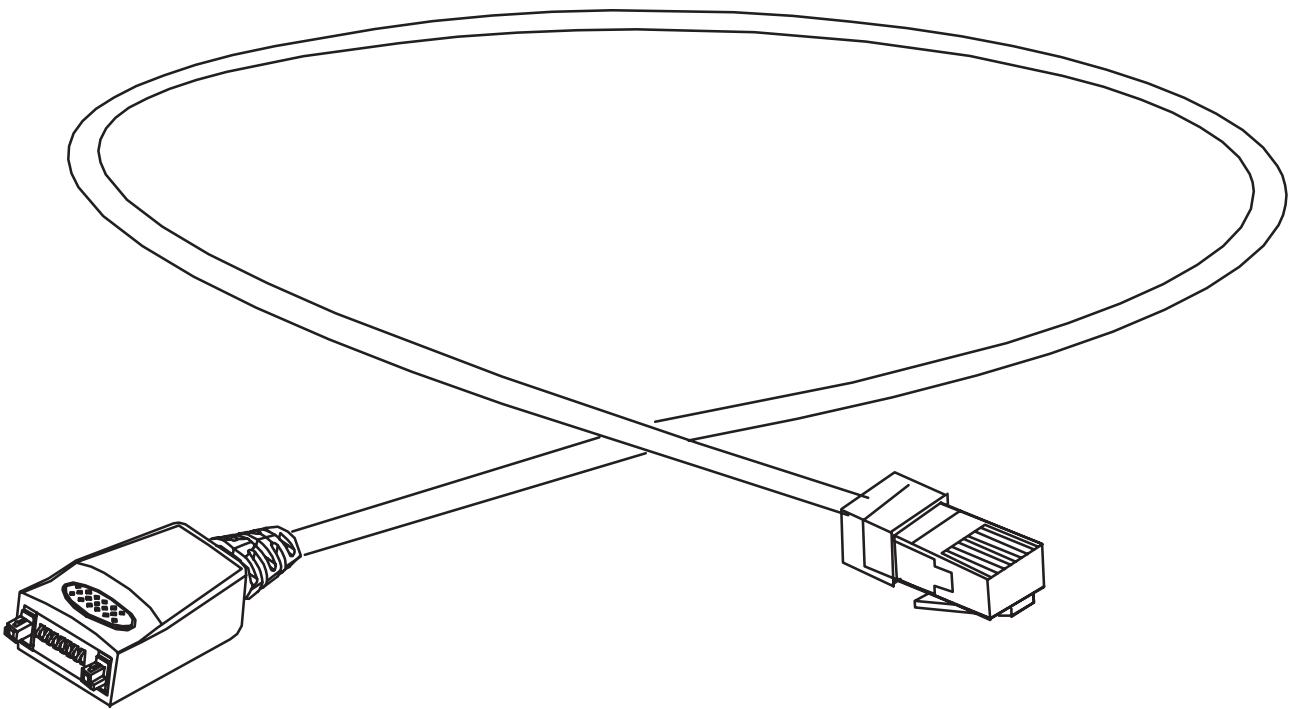
The Service Cable SCH-5A features a lower connector and is used between the phone and Service Audio Box JBA-4 (or modular T-adaptor). It is also used between the phone and the Flash Loading Adapter FLA-5.

### Product Code

Service Cable SCH-5A:

0730166

### View of SCH-5A



## Audio Cable ADS-1

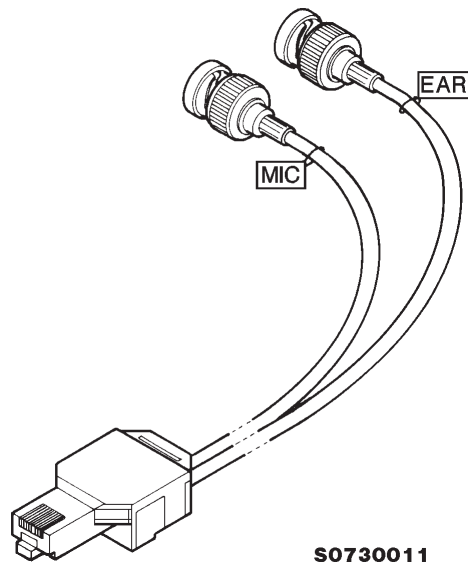
Audio cable is an adapter routing AF signals (MIC/EAR) from 8 pin modular connector to two BNC connectors. It is used to connect JBA-4, SCH-5, and DAU-9S.

### Product code

Audio Cable ADS-1:

0730011

### View of ADS-1





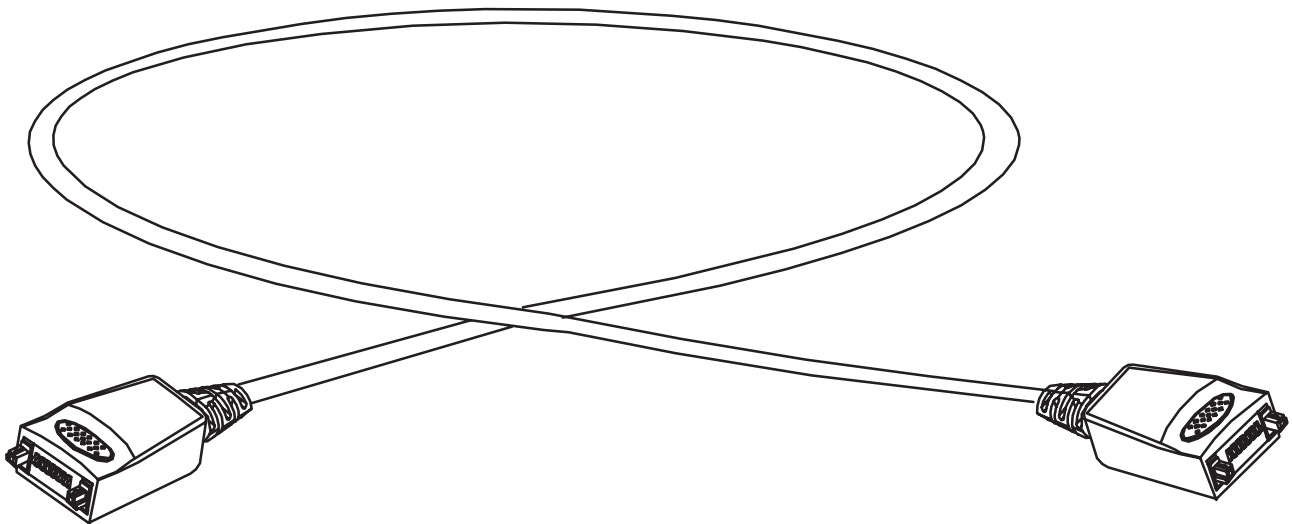
## Warranty Cable SCH-6

The Warranty cable SCH-6 is used to connect two phones, and enables transfer of data (stored numbers etc.) from one phone to another.

### Product Code

Warranty Cable SCH-6: 0730099

### View of SCH-6



## Modular Cable XCM-1

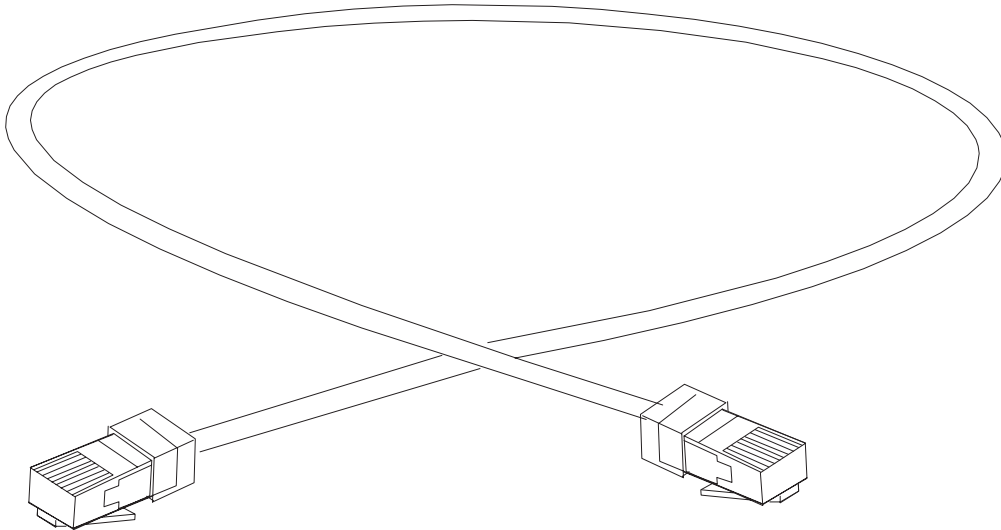
The modular Cable XCM-1 is a standard 1m long 8-core flat cable with male modular-8 connectors in both ends.

### Product Code

Modular Cable XMS-1

4626131

### View of XMS-1



## Modular Service Cable XMS-3

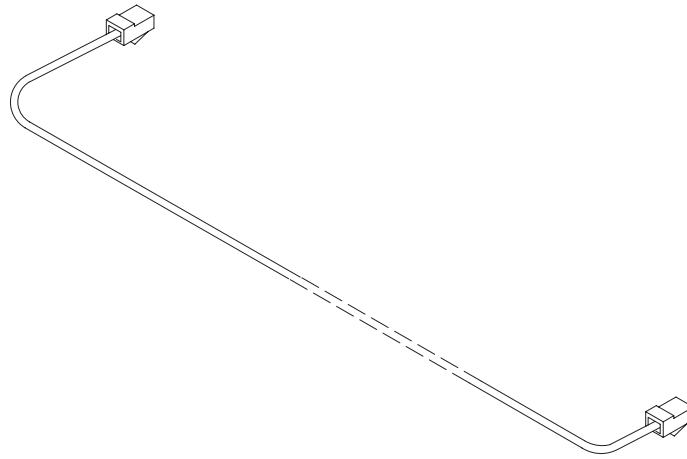
XMS-3 is a modular cable for flashing and warranty transfer.

### Product code

Service Cable XMS-3:

0730174

### View of XCM-3



## D15-D15 Cable AXS-5

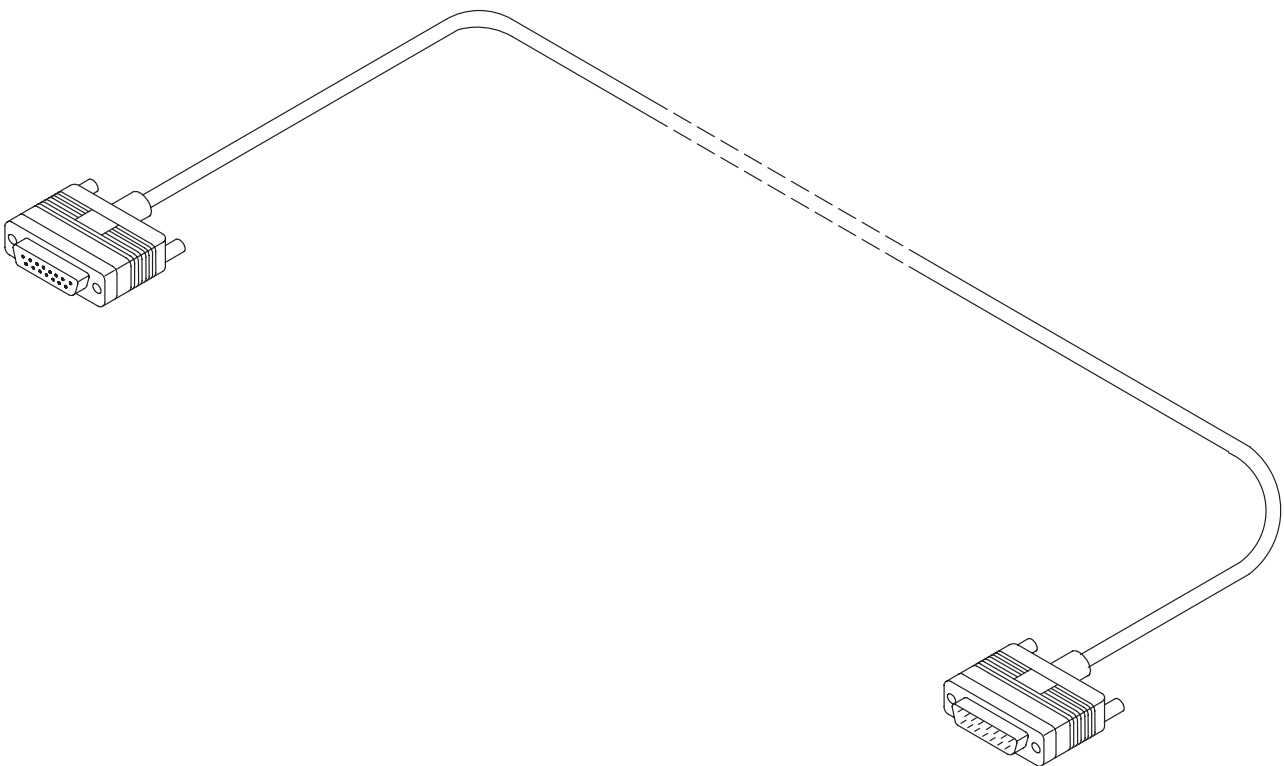
The D15-D15 Cable AXS-5 is used to connect two 15 pin D connectors. e.g. between FLA-5 and FPS-4S.

### Product Code

D15-D15 Cable AXS-5:

0730091

### View of AXS-5



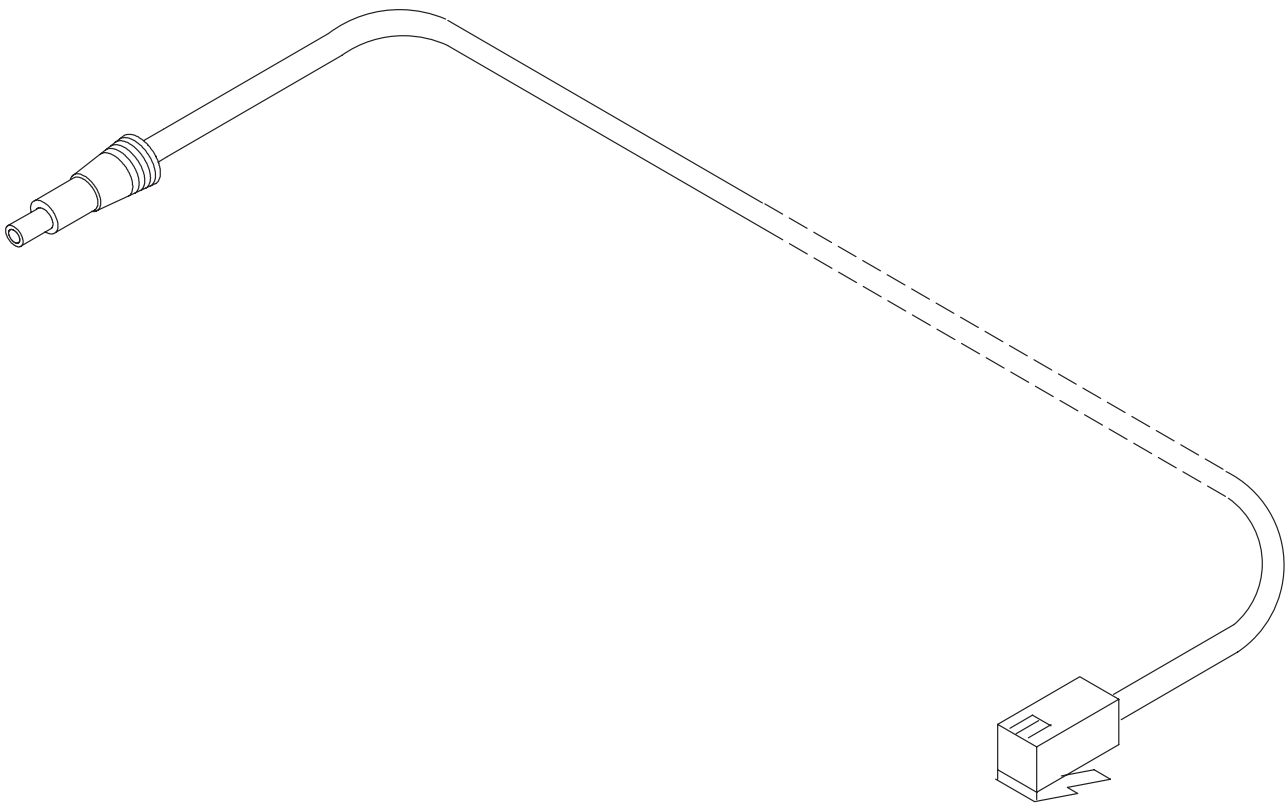
## DC Cable PCC-1B

The DC Cable PCC-1B is used e.g. to connect FLA-5 and TDF-4.

### Product Code

DC Cable PCC-1B: 0770050

### View of PCC-1



## DC Cable SCB-3

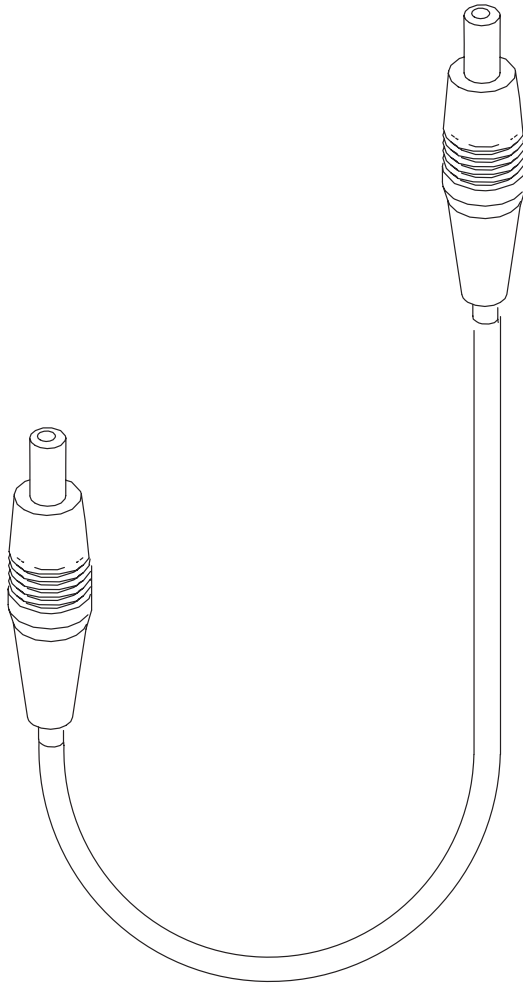
The DC Cable SCB-3 is used to connect the Service Battery to the charger connection Vin of the phone when doing the charger calibration service procedure.

### Product Code

DC Cable SCB-3:

0730114

### View of SCB-3



## Power Cable PCS-1

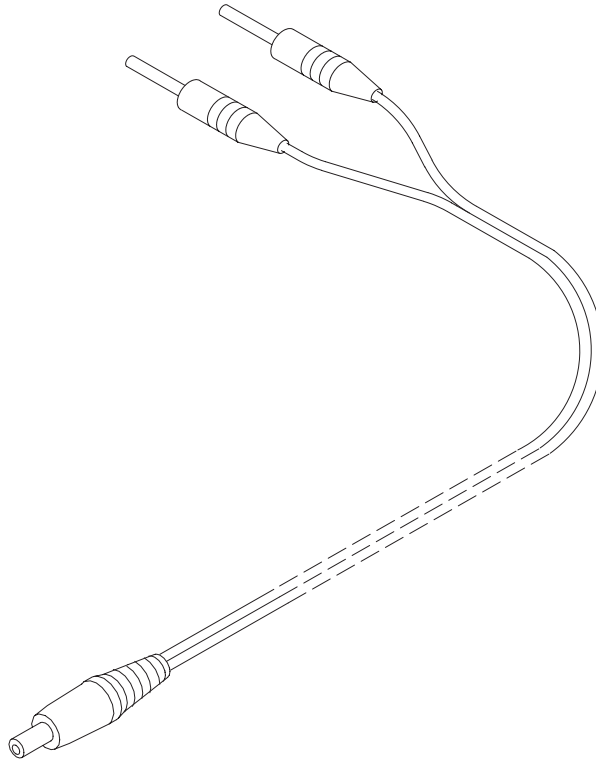
The Power Cable PCS-1 is used to connect the module jigs JBT-1 and JBS-19 to an external power supply.

### Product Code

Power Cable PCS-1:

0730012

### View of PCS-1



## External Antenna Cable XRC-1B

The External Antenna Cable is used to connect the transceiver to measuring equipment during servicing.

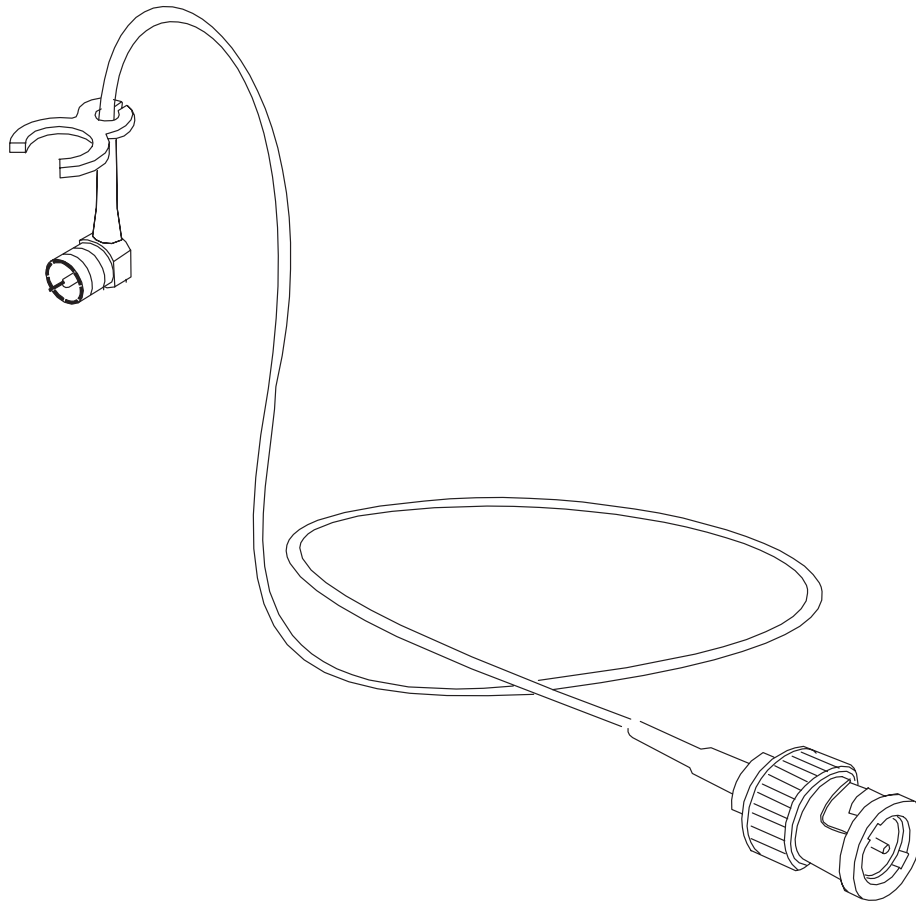
Note: Typical attenuation at 900 MHz is 0.7 dB.  
Typical attenuation at 1800 MHz is 0.9 dB.

### Product Code

External Antenna Cable XRC-1B:

0730128

### View of XRC-1B





## External Antenna Cable XRC-2

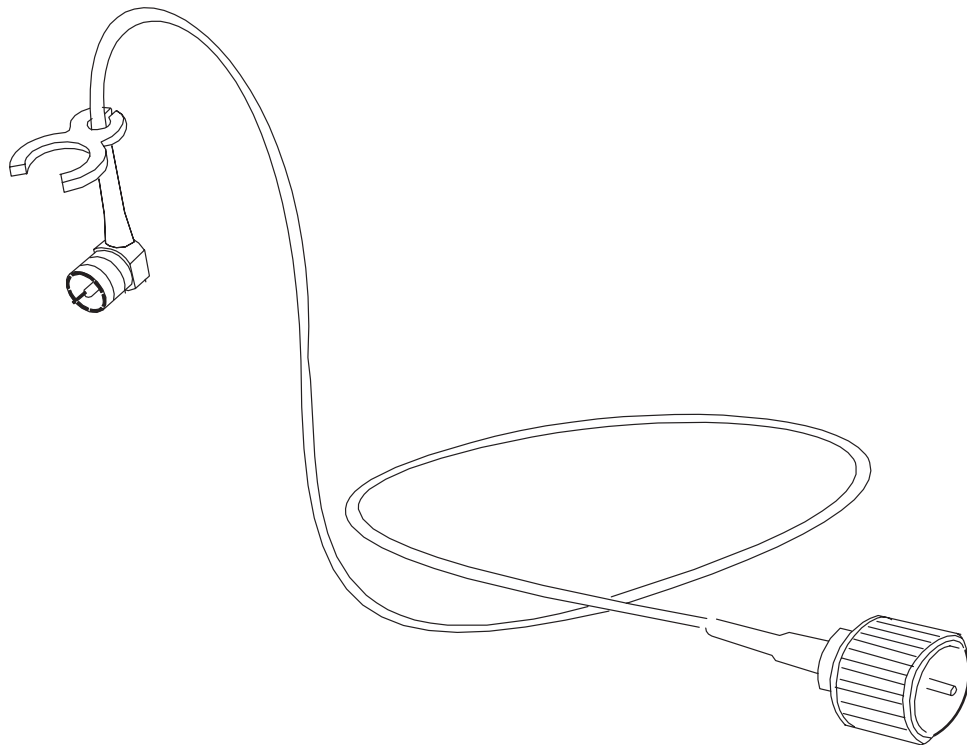
XRC-2 is a modular cable with N connector for RF measurements.

### Product code

External Antenna Cable XRC-2:

0730180

### View of XRC-2



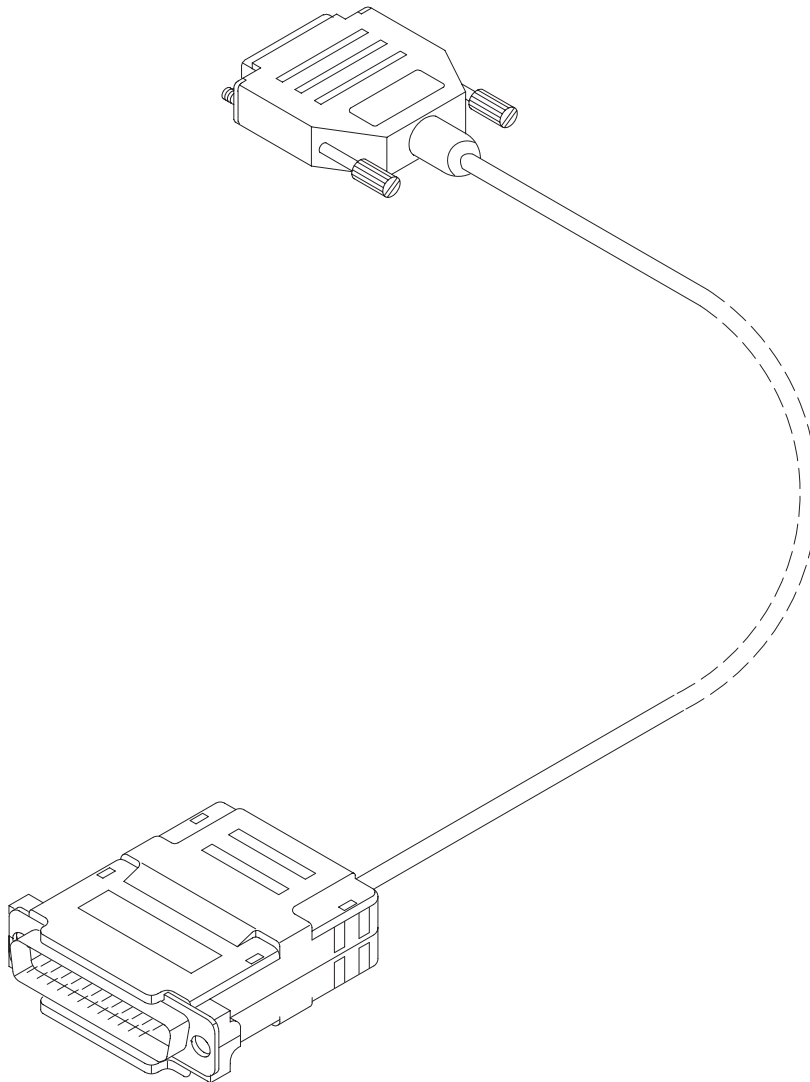
## Light Flash Cable FLC-5

### Product Code

Light Flash Cable FLC-5:

0081263

### View of FLC-5



The sales package includes:

**Table 1. Sales package**

Sales Package	Type Designation of parts	NMP Code
FLC-5		0081263
	FLC-5	0770107
	XCM-1	4626131
	Light Flash SW	0774094

## Light Flash Cable FLE-5

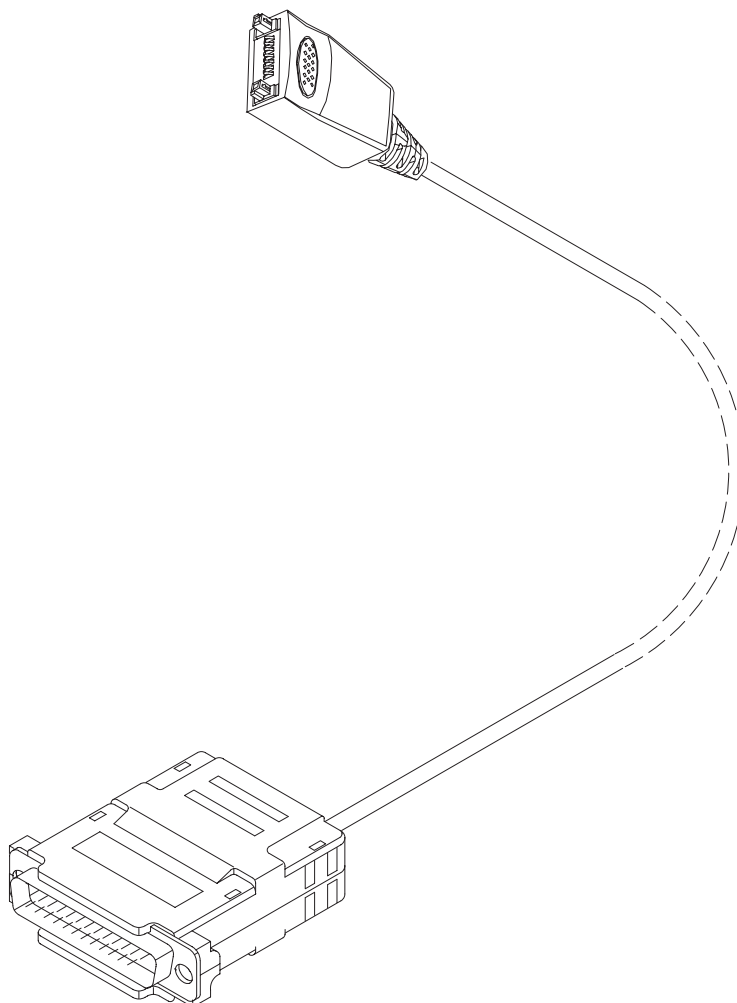
The Easy Flash Adapter FLE-5 is used for flash memory updating

### Product Code

Light Flash Cable FLE-5:

0770147

### View of FLC-5



The sales package includes the FLE-5 cable, a diskette, which includes the PC SW that is used in the PC and modular 8 cable, XCM-1.

Sales Package	Type Designation of parts	NMP Code
FLE-5		
	FLE-5	0770147
	XCM-1	4626131
	SW diskette	

## MBUS Cable DAU-9S

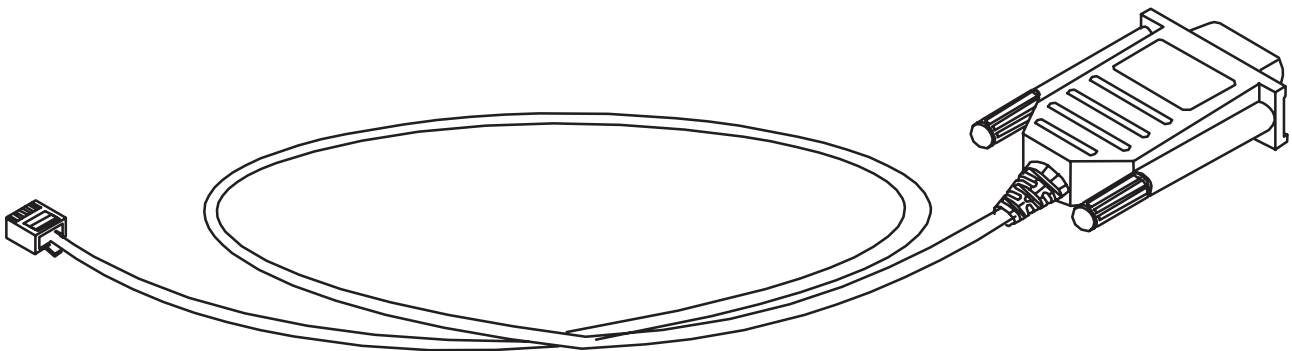
The MBUS Cable DAU-9S has a modular connector, and is used with the service Audio Box JBA-4, or a modular T-adapter.

### Product Code

MBUS Cable DAU-9S:

0730108

### View of DAU-9S



## MBUS Cable DAU-9P

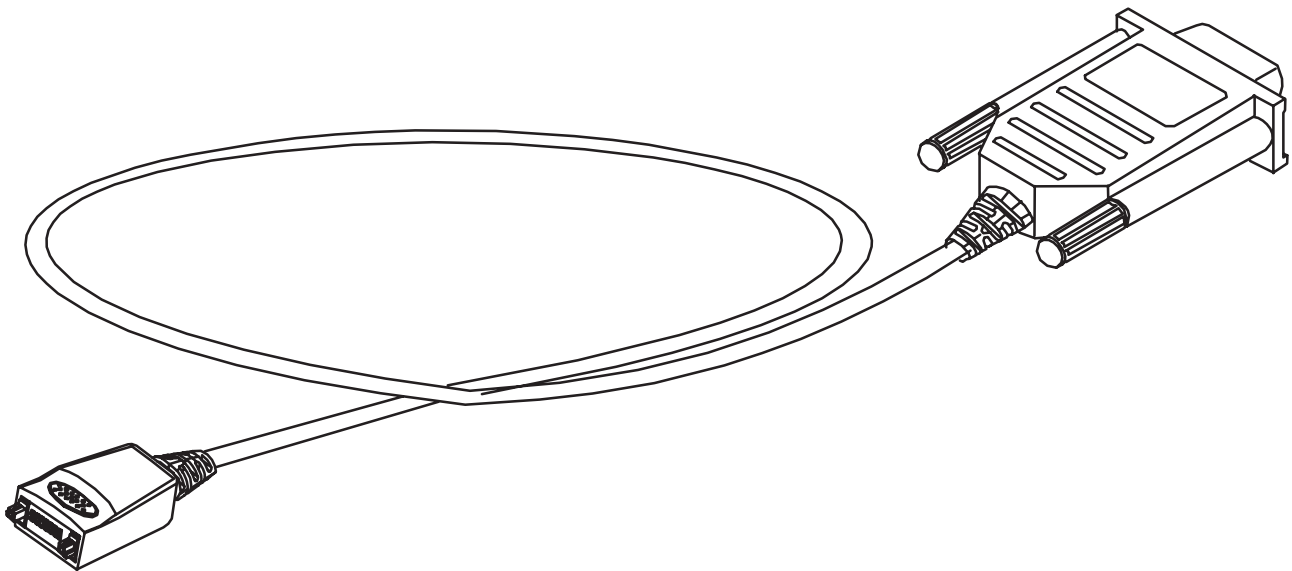
The MBUS Cable DAU-9P has a phone system connector, and is used between the phone and external devices.

### Product Code

MBUS Cable DAU-9P:

0730109

### View of DAU-9P



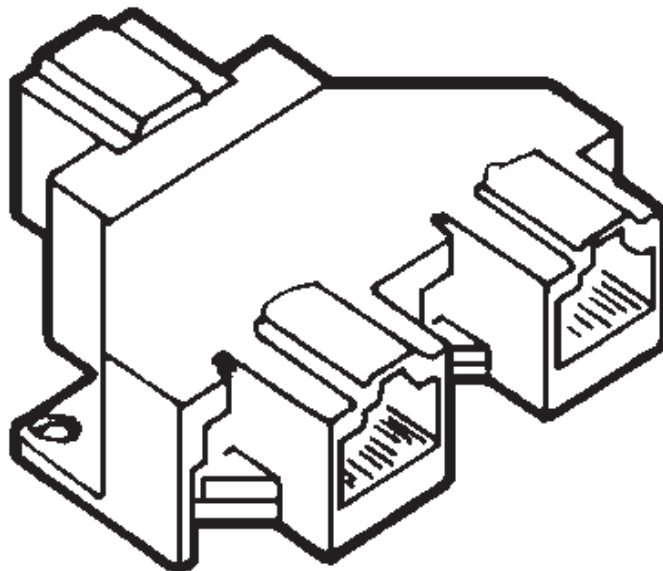
## Modular T-adapter

The modular T-adapter is a suitable branching unit to provide the needed parallel modular connections.

### Product Code

Modular T-adapter: 4626134

### View of Modular T-adapter



## SW Security Device PKD-1

SW security device is a piece of hardware enabling the use of the service software when connected to the parallel (LPT) port of the PC. Without the dongle present it is not possible to use the service software. Printer or any such device can be connected to the PC through the dongle if needed.

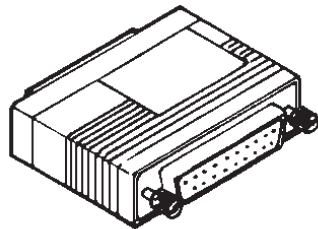
*Caution: Make sure that you have switched off the PC and the printer before making connections!*

*Caution: Do not connect the PKD-1 to the serial port. You may damage your PKD-1!*

### Product Code

SW Security Device PKD-1: 0750018

### View of SW Security Device



**G0750018**

## Dongle/Flash Device FLS-2D (Sales Pack)

FLS-2D is a dongle and flash device incorporated into one package, developed specifically for POS use.

### Product Code

Sales Pack -US	0081289
Sales Pack -APAC	0081290
Sales Pack - Europe/Africa	0081291

### View of FLS-2D



### Sales Pack Contents

Part No.	Description
0750142	FLS-2D Flash Device.
0730163	AXS-4U Cable.
0770177	Disk- Installation package, 16bit Dongle Drivers.
0770176	Disk - Installation package, 32bit Dongle Drivers.
0774120	Disk - Installation package for the FLE-5 Drivers.
0774123	Disk - Remote Update Application Installation Package.
0275405	Installation and User Guide
0275404	Registration Request Form

**Note:** in addition to this Sales Pack, a Service Cable will be required to connect the FLS-2D to the Product/Phone to be flashed, e.g. XMS-3, and a software package to run the flashing process.